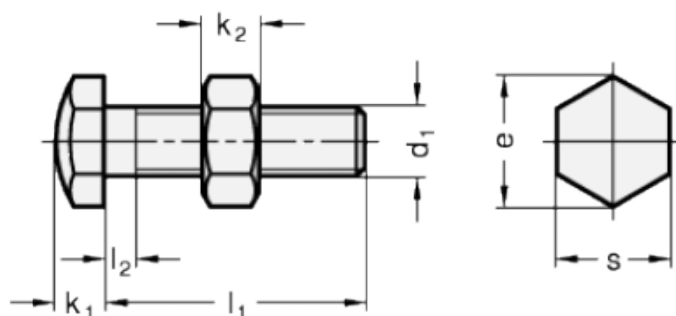


Article number: 20251M1035BK

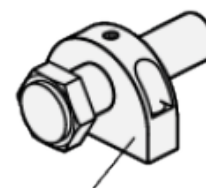
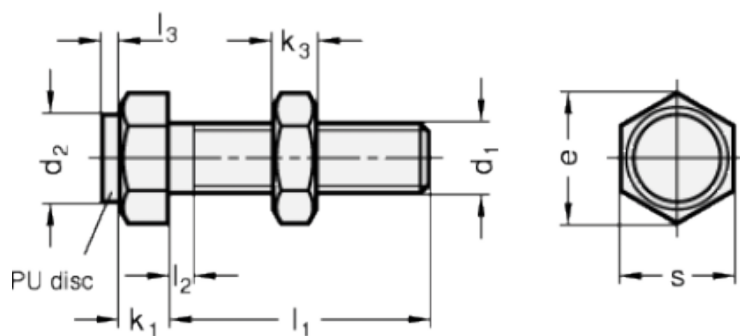
Description: E+G Setting bolt GN 251-M10-35-BK
with nut

Measures

Type AK



Type BK



Mounting block GN 412.1

d	= M10	s = 17
e	= 19.6	
K	= -	
k1	= 7	
k2	= 6	
l1	= 35	
l2 max.	= 4.5	
l3	= 2	